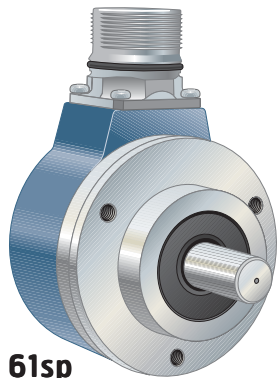


63



61sp

## Short description:

- >> 25 bit resolution
- >> IP 67 at housing, IP 66 at shaft inlet
- >> Robust housing for harsh environments
- >> Shock and vibration protected
- >> Pushbutton for preset available on request

## Suitable applications:

- >> Standard and demanding industrial applications
- >> Positioning applications
- >> Printing machines
- >> Packaging machines

## General information

Encoder data	
Operating temperature	-40°C .. +85°C
Ingress protection class	IP-67 according to IEC 60529
At shaft inlet	IP-66 according to IEC 60529
Vibration (55 to 2000Hz)	< 300 m/s <sup>2</sup> according to IEC 60068-2-6
Shock (6ms)	< 1000 m/s <sup>2</sup> according to IEC 60068-2-27
Cover material	Aluminium
Cover surface treatment	Passivated and coated
Weight	Approx. 300g
Accuracy and resolution	
Encoder type	RSA 608
Total resolution	25 Bit
Singleturn resolution	13 Bit (8192 absolute positions per revolution)
Multiturn resolution	12 Bit (4096 absolute number of revolutions)
Accuracy	± 1 LSB
Incremental track Resolution	Sinusoidal 1Vpp 512 ppr

## Flange option

Flange type	63, Synchro	61sp, Clamping
Outer diameter	ø58 mm	ø58 mm
Mounting holes	3 x M4	3 x M4
Flange material	Aluminium	Aluminium

## Shaft option

Shaft type	Ø 6 round	Ø 10 round
Axial shaft load	50 N	50 N
Radial shaft load	60 N	60 N
Mech. permissible speed	max. 12000 rpm	max. 12000 rpm
Shaft material	Stainless steel	Stainless steel
Moment of inertia	1,9 x 10 <sup>-6</sup> kgm <sup>2</sup>	2 x 10 <sup>-6</sup> kgm <sup>2</sup>



### Connection option

Connector type	Cable	12 pin EML	17 pin EML
Function	Colour	PIN	PIN
RS-232 TXD	Blue/Red	1	1
Code Sequence	Yellow	2	2
STATUS	Green	3	3
RS-232 RXD	Grey/Pink	4	4
Preset 1	Black	5	5
Preset 2	Violet	6	6
+E Volt	Red	7	7
Clock	White	8	8
Clock\	Brown	9	9
0 Volt	Blue	10	10
Internal shield	NA	NA	11
B	White/Green	NA	12
B\	White/Yellow	NA	13
Data	Grey	11	14
A	Brown/Green	NA	15
A\	Brown/Yellow	NA	16
Data\	Pink	12	17
Connecting direction			
Radial			

NA= Not available

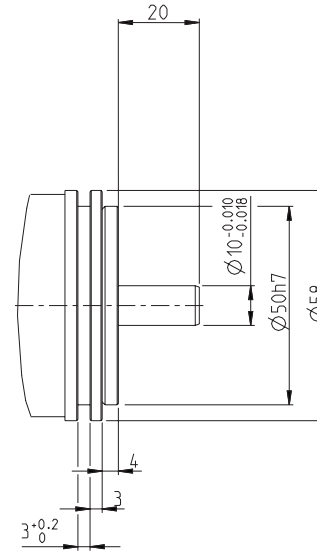
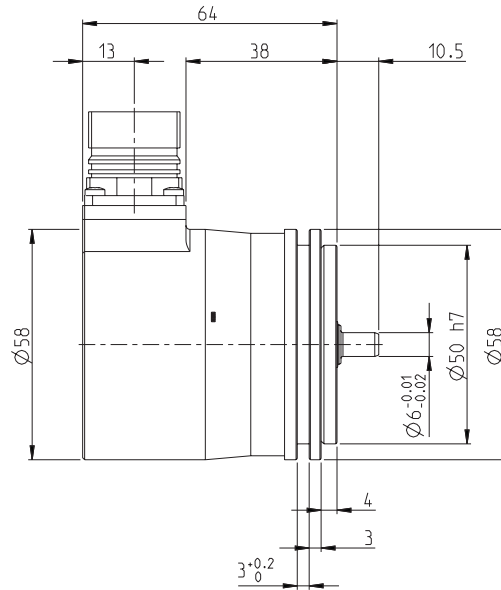
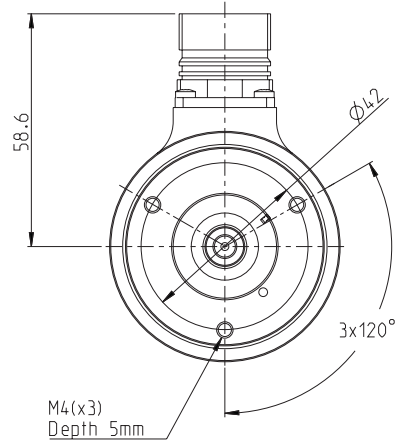
### Electrical option

<b>Power supply</b>	<b>9-36 Vdc</b>	
Polarity protected	Yes	
<b>Output Interface</b>	<b>SSI</b>	
Current consumption	60 mA @ 24Vdc	
Max. current consumption	90 mA @ 24 Vdc	
Data output	RS-485	
Clock input	RS-485	
Frequency range	100 kHz -1 MHz	
Cable length	Max. 100 m	
Code type	Gray, Binary (Standard or Tannenbaum)	
Programmable parameters	Preset, Code sequence, Code type, Data format, Scaling parameters	
STATUS signal		
High, OK	> +EV - 3V	
Low, Warning	< 0,4V	
<b>Inputs</b>	<b>PRESET 1,2</b>	<b>Code Sequence</b>
U <sub>high</sub>	> +EV x 0,6	> +EV x 0,6
U <sub>low</sub>	< +EV x 0,25	< +EV x 0,25
Active	High	High (CCW)
Not connected	Low	Low (CW)
Delay	1 ms	1 ms
PC communication for configuration	RS-232 (Max 10 m Cable)	

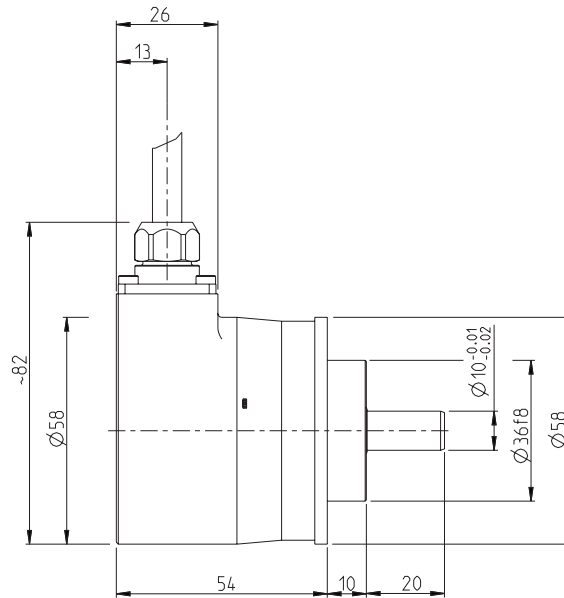
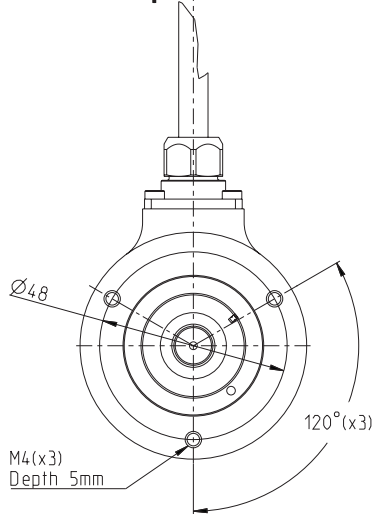


## Dimensions

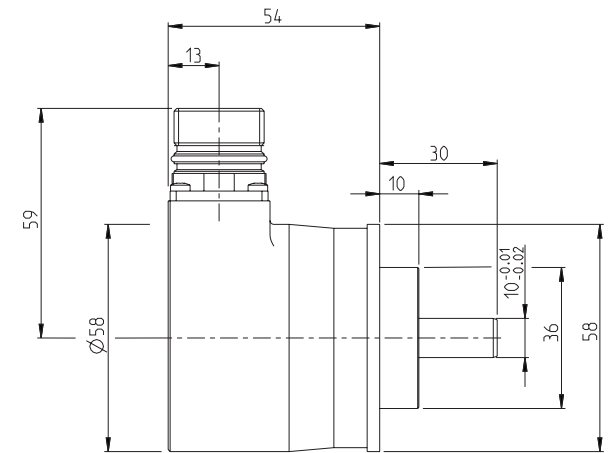
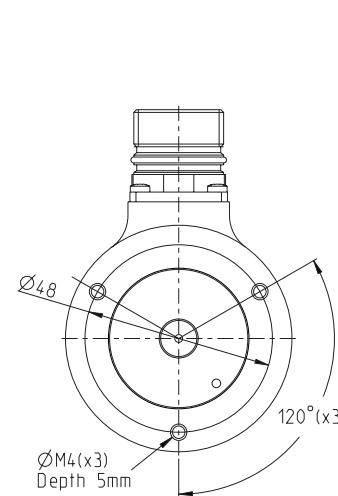
**RSA 608 63  $\varnothing$ 6/10 EML radial**



**RSA 608 61sp  $\varnothing$ 10 cable radial**



**RSA 608 61sp  $\varnothing$ 10 EML radial**





## Accessories

Programming accessories	Part number
PC programming software can be downloaded from <a href="http://www.leinelinde.com">www.leinelinde.com</a>	
RS-232 Programming cable 12pin EML	728873-01
RS-232 Programming cable 17pin EML	728875-01
Cables and connectors	
Mating connector (12pEML)	01209090
Mating connector with assembled cable 2m (12pEML)	01210102
Mating connector with assembled cable, free length (12pEML)	01209051
Mating connector (17pEML)	01209085
Mating connector with assembled cable 2m (17pEML)	01210202
Mating connector with assembled cable, free length (17pEML)	01209092
Mounting clamps for 63 synchro flange	00203005
Mounting bracket	00208011

For additional accessories, please advise separate datasheet for accessories.

## Ordering information

RSA 608	
721728-01	RSA 608 61 ø10ro 9-36 Vdc SSP 12 pin EML Radial 25 bit
576187-01	RSA 608 61 ø10ro 9-36 Vdc SSP 17 pin EML Radial 25 bit
682922-01	RSA 608 61 ø10ro 9-36 Vdc SSP Cable 5m Radial 25 bit
721726-01	RSA 608 63 ø6ro 9-36 Vdc SSP 12 pin EML Radial 25 bit
576211-01	RSA 608 63 ø6ro 9-36 Vdc SSP 17 pin EML Radial 25 bit
721723-01	RSA 608 63 ø10ro 9-36 Vdc SSP 12 pin EML Radial 25 bit
576214-01	RSA 608 63 ø10ro 9-36 Vdc SSP 17 pin EML Radial 25 bit